

# WASCO

SWITCHES & SENSORS

## UDG-25 SERIES UHP MINIATURE DIAPHRAGM GAUGE

The UDG-25 is an advanced diaphragm gauge with a single-piece fitting for superior corrosion resistance. This 1" diameter gauge has undergone rigorous testing and design validation to ensure high corrosion resistance and long-term reliability. Manufactured with an Inconel 625 diaphragm, the UDG-25 series is an ideal gauge for ultra high purity applications. Wasco's UDG-25 diaphragm gauge provides significantly higher corrosion resistance than conventional bourdon tube gauges on the market.



### UDG-25 SERIES FEATURES

- Single piece fitting
- Inconel® 625 diaphragm
- 316L SEMI F20 UHP-grade wetted material
- 10 Ra surface finish for wetted path
- Reduced dead volume
- Center back mount fitting design
- Customizable process fittings
- Final cleaning & packaging in an ISO Class 5 clean room

### TYPICAL APPLICATIONS

- UHP Gas Delivery Systems
- Gas Distribution Systems
- Gas Boxes

<b>Pressure Ranges</b>	-15 to 15*	0 to 60*
<b>Proof Pressure</b>	60	120
<b>Burst Pressure</b>	1,000	1,000

\* Other ranges available on request  
All measurements in PSIG

## MATERIAL SPECS

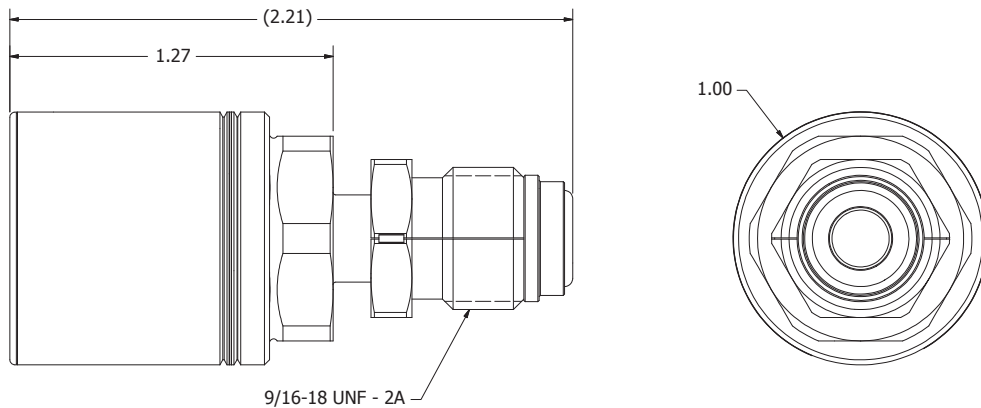
	Wetted Components
<b>Stem</b>	316L SEMI F20 UHP grade
<b>Diaphragm</b>	Inconel® 625
<b>Case</b>	316L

## TECHNICAL SPECS

<b>Surface Finish</b>	10 Ra for wetted parts
<b>Leak Rate</b>	$\leq 1 \times 10^{-9}$ cc/sec He
<b>Typical Life Expectancy</b>	> 300,000 cycles*
<b>Operating Temperature</b>	50° to 176°F (10° to 80°C)

\* Cycling was between 20% and 80% of full span

## PRODUCT DIMENSIONS



UDG-25 with 1/4" male face seal fitting (other configurations available)

## FULLY DESIGN VALIDATED

The Wasco UDG-25 series has undergone extensive design validation testing to ensure we created a superior ultra high purity pressure gauge. Design validation tests included life cycle durability testing, storage and operating temperature testing, and extensive accuracy testing. Many products available today leave you wondering if they ever added design validation in the product design phase. The Wasco UDG-25 design team has subjected our products to lengthy testing, and our full design validation report is available. Contact us for your application needs and a copy of our report.

We understand how difficult the specifying process can be, but we believe it doesn't have to be that way. Wasco has specified over 6000 unique pressure sensors for thousands of customers since 1963. **Find your solution today by filling out our [worksheet](#).**



SCAN ME

Information contained in this document is for reference only. Actual product specifications will be provided on an engineering drawing.

Released August, 2023



[www.wascoinc.com](http://www.wascoinc.com)  
sales@wascoinc.com  
(800) 500-9272